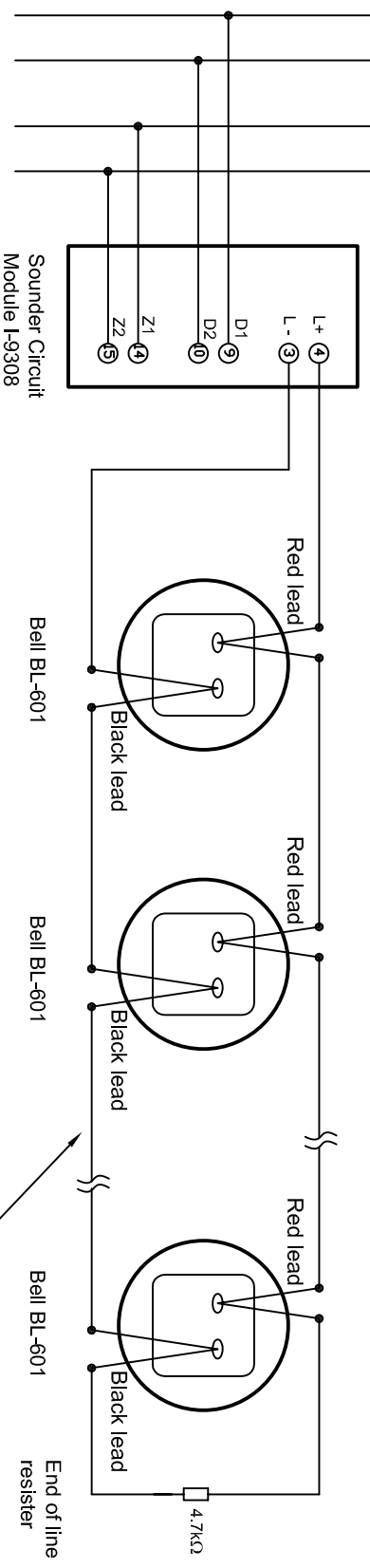
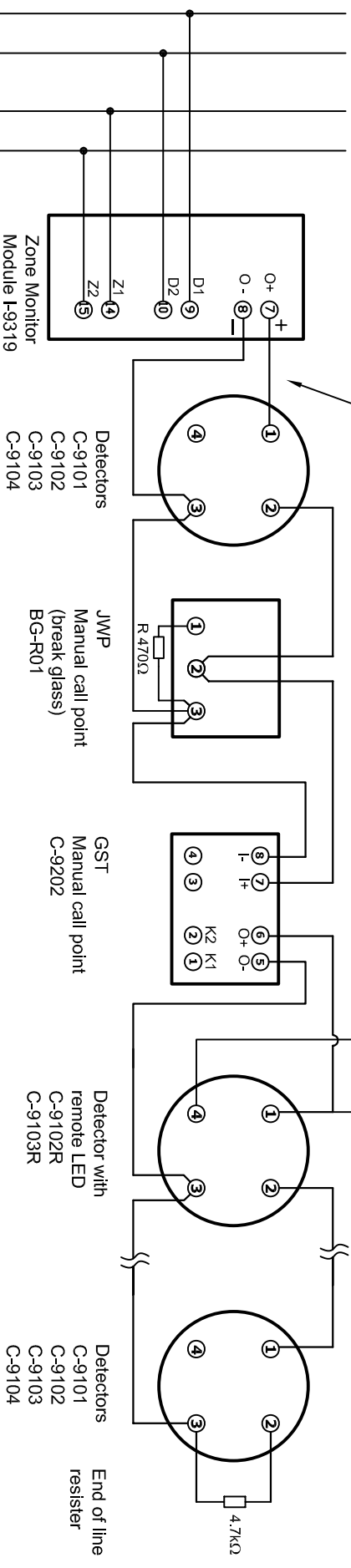
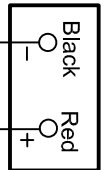


24VDC power + - Addressable loop + -

Max. 25 detectors plus 20 manual call points

LED door lamp



Max. 15 bells or 500mA load

Master Controls Co., Ltd.

Tel. 02-645-1440 www.mastercontrols.co.th

Title:	Wiring diagram for GST I-9319 and I-9308		
File name:	Wiring for I9319_I9308		
Rev. 01	date:	15 Nov 2006	