



**C-9503**

**Features and Benefits**

1. In the event of a short circuit, isolates faulty parts of the loop.
2. Automatically resetting once the fault has been cleared.
3. LED status indicator.
4. Detector base type isolator(C-9504) is available, which has the same function but easier for installation.

**Description**

The isolator should be used in addressable loop. In the event of a short circuit on a loop, the C-9503 isolators either sides of the isolator, and enable other devices on the unaffected part of the loop to operate normally. The module will continue to monitor for the fault until it is repaired. Once the fault is cleared the isolator will automatically reset itself.

**Specifications**

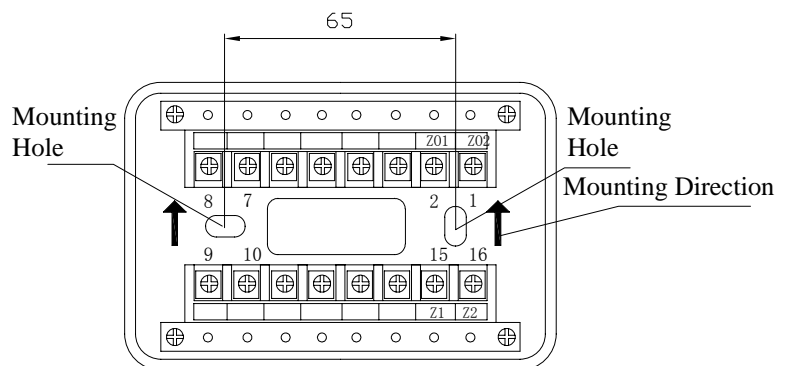
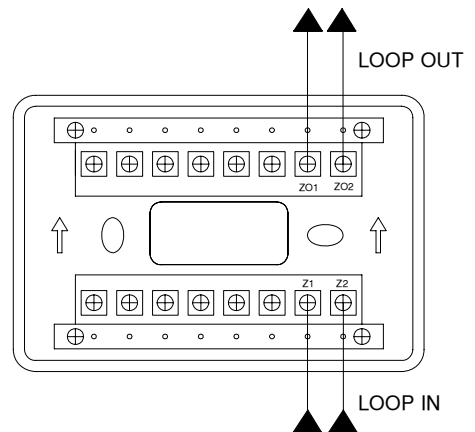
- Operating voltage: 24Vdc Loop voltage
- Action Alarm current: 2A
- Maximum loading devices: 50
- Operating temperature: -10°C to 50°C
- Relative humidity: 95%
- Application: Indoor use
- Visual Indicator: LED, Red (lit steady when alarm, 3 sec interval blinking at normal state)
- Protection rating: IP 22
- Material and color: ABS, off-white
- Wiring: 2 pair non polarized
- Dimensions: 120mmx80mmx40mm

**Mounting Isolator Base**

The short circuit isolator can be installed on the wall directly or onto a standard one gang electrical box (70mmx70mm). It requires 2 mounting screws. The distance between the mounting holes is 65mm.

**Wiring and Connection**

Connect the wires to the required terminal according to the wire diagram. The cable must be fire rated type and the size depends on the distance and application. Minimum size gauge 1.0mm<sup>2</sup>(18 AWG)



Exclusive distributor

**MASTER CONTROLS CO., LTD**

100/69 Vongvanit Complex Building B, 22nd floor, Rama 9 Road, Huaykhwang, Bangkok 10320

Tel: 02-645-1440-3 Fax: 02-248-7701 Service Hotline: 01-373-1357 [www.mastercontrols.co.th](http://www.mastercontrols.co.th)

