



**I-9308**

### Features and Benefits

1. Interfaces with conventional polarized sounders and bells
2. Microprocessor for cable monitoring
3. Photoelectric isolation of the loop and power supply.
4. Electronically addressable
5. Utilized two addresses ( Alert and Evacuate)
6. Ease of installation and connection.
7. Twin LED status indicator

### Description

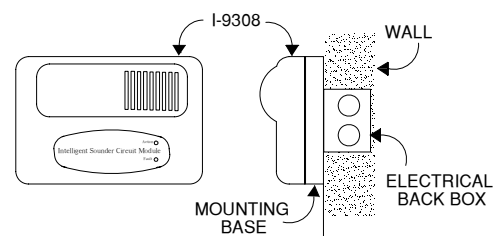
The I-9308 Intelligent Sounder Circuit Module is used to enable addressable control of the pre-alarm sound and fire alarm sound or conventional sounder/bells. The module incorporates a cable monitoring function. When there is short circuit, open circuit or power cut, the module will give fault indication, and the controller displays a fault condition. Two addresses are incorporated. If the 1<sup>st</sup> address is active, the module will switch output to ALERT mode, 0.25s ON and 0.75s OFF. If the 2<sup>nd</sup> address is active, the output will be in EVACUATE mode, 0.25s ON and 0.25s OFF. The 2<sup>nd</sup> address will override the 1<sup>st</sup> one. Thus EVACUATE has the highest priority. Electronic addressing can be done through Handheld Programming tool (P-9910), purchased separately.

### Technical Specifications

- Protection rating: IP 30
- Output Capacity: 500mA
- Control Mode: Pulse
- Operating voltage: 24Vdc Loop voltage
- Power Supply: 24Vdc
- Operating Current: Loop Monitoring current 1mA Loop Action Current: 4m Power Monitoring current: 10mA Power Action Current: 500mA
- Operating temperature: -10°C to +50°C
- Relative humidity: 95%
- End of Line: 4.7KΩ 1/4watt
- Application: Indoor use
- Visual Indicator: twin LED, Red ( lit steady when alarm, 3 sec interval blinking at normal state) Yellow (fault)
- Programming mode: Electronic programming within 1~242, utilizing two addresses
- Material and colour: ABS, ivory-white
- Wiring: 2 pair non polarized
- Dimensions: 120mmx80mmx39mm

### Mounting Module Base

The zone monitor should be installed in compliance with all local codes and/ or NFPA 72 National Fire Alarm Code, NFPA 70 National



Electrical Code. It is installed onto a standard one gang electrical box with a mounting hole that have 6.5cm spacing.

Exclusive distributor

**MASTER CONTROLS CO., LTD**

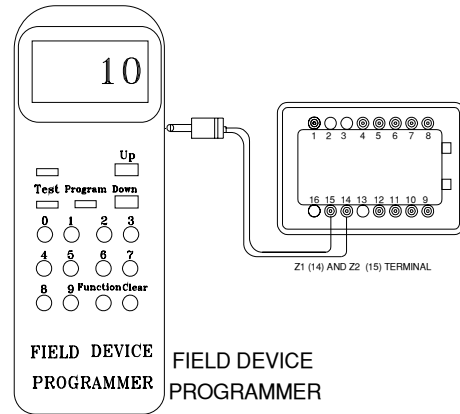
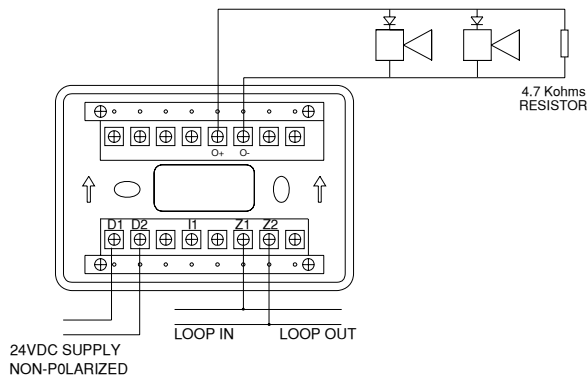
100/69 Vongvanit Complex Building B, 22nd floor, Rama 9 Road, Huaykhwang, Bangkok 10320

Tel: 02-645-1440-3 Fax: 02-248-7701 Service Hotline: 01-373-1357 [www.mastercontrols.co.th](http://www.mastercontrols.co.th)



**Wiring and Connection**

Connect the wires to the required terminal according to the wiring diagram. The L+, L- is sounder output, polarized, the D1, D2 is for 24VDC power supply, non-polarized and the Z1, Z2 is loop of the controller, non-polarized. The cable must be fire rated type and the size depends on the distance and application. Minimum size gauge 1.0mm<sup>2</sup> (18 AWG)



**Programming**

The address of Sounder circuit module can be programmed using GST handheld programmer (P-9910), connect the two wires of the handheld programmer to Z1 and Z2 terminals of the module.

**Selection of compatible Control Panels**

Compatible with all GST Intelligent Fire Alarm Panels GST200, GST500, GST5000, and GST 9000.