



CONVENTIONAL SMOKE DETECTOR C-9102

FEATURES

- ◆ High sensitivity and reliability
- ◆ Fast response to smoke and fire
- ◆ Dust-proof and insects-proof
- ◆ Easy to install and setup
- ◆ Easy to maintenance
- ◆ LPCB certificated complying with EN54-7
- ◆ Available in UL Listed version



C-9102

DESCRIPTION

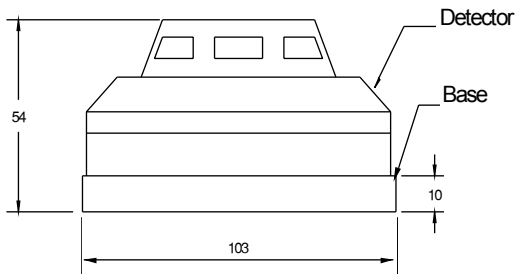
Smoke detector is the most commonly used detector in fire alarm systems due to its sensitivity and reliability. The GST conventional photoelectric smoke detector C-9102 applicable to most buildings including hotel, restaurant, office, school, warehouse, residential building and factory.

C-9102 photoelectric smoke detector adopts the latest scattering technology to monitor the smoke level in the air continuously. When the smoke level exceeds the threshold, the detector will change its status from standby to alarm and transmit the alarm signal to the control panel. The smoke level for alarm is preset in factory complying with European standard EN54-7: and BS544-7.

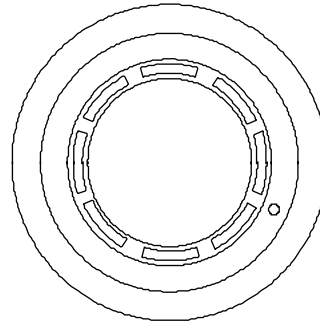
SPECIFICATION

Operating voltage	12-28 VDC	
Standby current	< 60 μ A	
Alarming current	10 ~ 30 mA	
Maximum ripple voltage	4 V (peak to peak)	
Alarm reset	Instantaneous cut out (5s max , 2.5 V max)	
Power up time	< 10s	
Maximum air velocity	7.6 m/s	
Alarm indication LED	Red , not lit when polling , constant lit when alarming	
Weight	\approx 120 g	
Monitoring area	Space height 6~12 m	80 m ²
	Space height < 6 m	60 m ²
Operating temperature	- 10°C ~ +40°C	
Operating humidity	< 95%	
Dimension	Diameter: 100 mm, Height: 42 mm	
Wiring cable	2-core non-shielded cable	
Enclosure protection class	IP22	
Material and color of enclosure	ABS , Ivory white	
Mounting hole distance	45 mm to 75 mm	

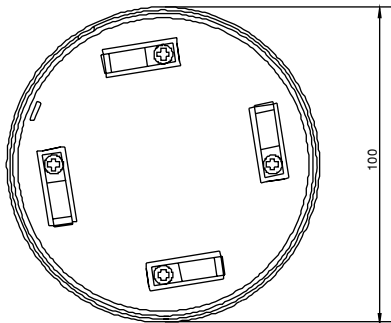
DIMENSION



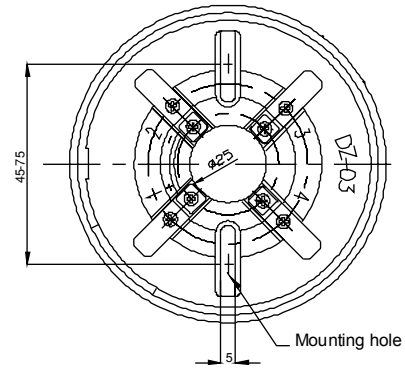
Side View



Top View



Bottom View



Detector Base

TYPICAL WIRING

