

Features

- Beeping type of alarm sound
- High intensity LED flashing light
- Two sound modes: low alarm and high alarm
- Two programmable device type

Description

I-9403 is addressable electronic fire alarm sounder that is compatible to all GST addressable fire alarm control panel. I-9403 has beeping type of sound and high intensity LED flashing light.

I-9403 is activated by the control panel. It remains activative until it receives the reset signals from the control panel.

I-9403 is wired in the addressable loop and requires 24 VDC power supply.

I-9403 will communicate continuously when in standby mode. By this mean the control panel will be noticed if the I-9403 fails or is lost. I-9403 will send the signal of fault to control panel if its power supply is lost.

I-9403 can be controlled by a voltage free normally open contact directly, for example, by GST manual call point I-9202.

I-9403 can be programmed to 2 device types: Type 1, occupies one address and has high alarm sound mode; Type 2, occupies 2 addresses and can be activated in low alarm mode or high alarm mode by the controller. The low alarm sound mode has low sound level and slow beeping cycle and can be used as pre alarm. The high alarm mode has high sound level and fast beeping cycle and can be used as alarm.

Application

I-9403 is compatible to all GST addressable control panels. It is for indoor use only, and can be used in all general buildings.

Wiring

Terminals D1 and D2 are connected to DC24V power supply, non-polarized;

Terminals Z1 and Z2 are connected to loop of the controller, non-polarized;

Terminals S1 and G are connected to external contact only if it is used.

The loop cable shall be 2-core twist pair fire alarm cable with minimum size 1mm² (18AWG).

The power supply cable shall be single solid core with minimum size 1mm² (18AWG).

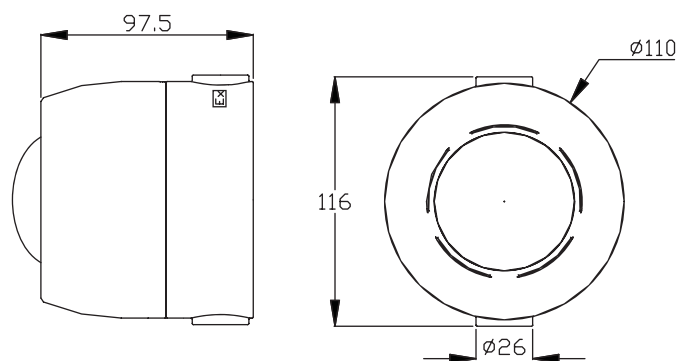
Installation

I-9403 consists of two parts: base and body. The base may be mounted on a electrical box with 2 screws or on flush surface. All wires shall be connected to the terminal of the base first. The body of I-9403 can be plugged onto the base.



Specification

- Alarm sound:
 - Low alarm mode:
 - 75 to 85 dB at 3 meter
 - Beeping cycle: 1.4s
 - High alarm mode:
 - 85 to 115dB at 3 meter
 - Beeping cycle: 0.7s
- Flashing cycle: 1.4s
- Beeping tone frequency: 2.8 kHz
- Loop voltage: 16~28VDC
- Power voltage: 20~28VDC
- Standby loop current: 1mA
- Alarm loop current: 5mA
- Standby power current: 3mA
- Alarm power current: 50mA
- Address range: 1 to 242
- Operating temperature: -10°C~+50°C
- Operating humidity: <95%
- Diameter 110 mm; Height 98 mm
- Weight: 355g
- Material and color: ABS, red
- Mounting: two holes with distance 55~80mm



Exclusive distributor

MASTER CONTROLS CO., LTD.

100/69 Vongvanit Complex Building B, 22nd Floor, Rama 9 Road, Huaykhwang, Bangkok 10320

Tel: 02645-1440-43 Fax: 02248-7701 www.mastercontrols.co.th

