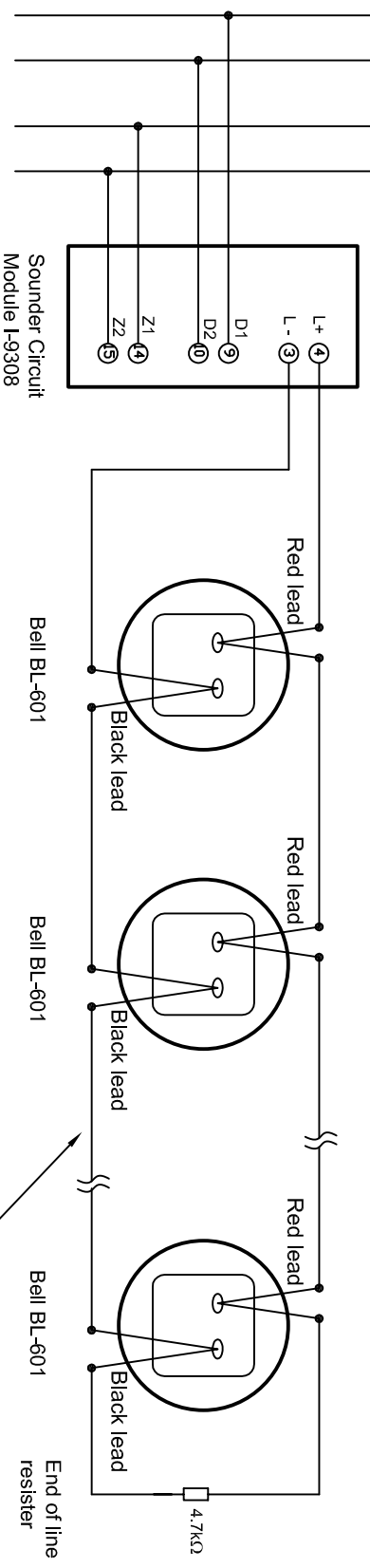
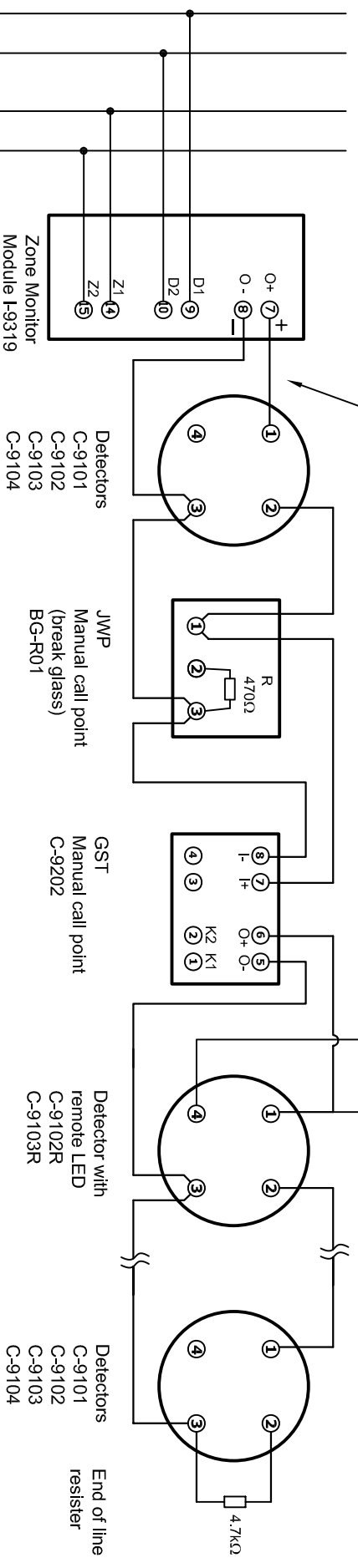


24VDC power + - + -  
Addressable loop + -

Max. 25 detectors plus 20 manual call points

LED door lamp



# Master Controls Co., Ltd.

Tel. 02-645-1440 www.mastercontrols.co.th

Title:	Wiring diagram for GST I-9319 and I-9308		
File name:	Wiring for I9319_I9308		
Rev. 01	date:	07 Jul 2006	