

BE-TECH ELECTRONIC LOCK

G1A8-65A & G136-65A

The latest G1 series lock from BE-TECH, is ideal for use on doors where a higher level of security protection is required. Their tough vandal resistant construction protects the locks against attack and unauthorized entry, without losing the access flexibility or control of the system.

Features

- 1 Brushed stainless steel plate and handle are durable and easy for maintenance.
- 2 Stainless steel deadbolt with high wearing resistance.
- 3 Steel mortise, tested with 100 million operation times. Thin mortise, thickness 16.2mm, may be fit with thin door.
- 4 Hidden cylinder for mechanical key to give nice outlook.
- 5 The separated reader PCB and control PCB provide better protection from foreign force and high humidity, better for using near the beach.
- 6 4 AA alkaline batteries with proximately 1 year of operation lift time.

International Certifications

✓ Tested and certified by Intertek, the world's largest testing, inspection and certification laboratory.

✓ Conform to ANSI/BHMA 156.25 standard (American National Standard for Electrified Locking Devices)

✓ Conform to EN 14846 standard (European Standard for Electromechanical lock)

✓ Conform to GB/T7633 (China National Standard for Fire Resistance)

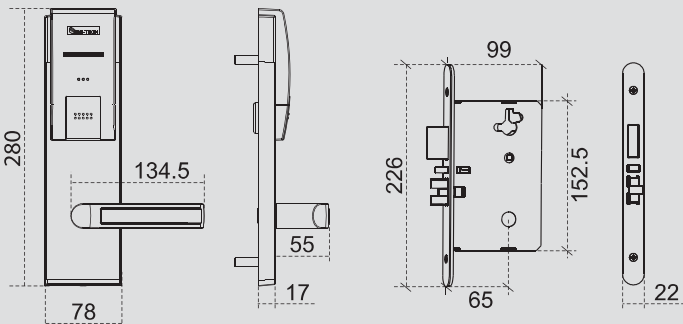
Specification

Thickness of door	35 to 50 mm
Width of door frame	>110 mm
Dimension of lock	280 x 78 mm (front)
Dimension of mortise	152.5 x 99 x 16.2 mm



Handle of G1A8-65A
Zinc alloy and
Nickel plating

Handle of G136-65A
Brushed stainless steel



Exclusive Distributor: **Master Controls Co., Ltd.**
1588/3 Bangna-trad Road, Bangna, Bangkok, Thailand 10260
Tel. 0-2746-8868 Fax 0-2746-7997 www.mastercontrols.co.th

BE-TECH
BE-TECH SECURITY SYSTEMS