

## DS-TMG033 Series Barrier Gate Anti-Fall Radar

### Introduction

DS-TMG033 Series Barrier Gate Anti-Fall Radar, with the modern microwave and high-speed digital signal processing technology, features in high precision, free debugging, high reliability, etc. It can be applied in parking lot and entrance and exit of underground garage to effectively avoid the arm of the barrier gate falling down when there is vehicle or pedestrian passing. It plays an important role of the intelligent parking system.



### Features and Functions

- 24 GHz MMIC
- Convenient for installation and maintenance with little manual labor and short labor-hour
- Advanced signal processing technology to detect the pedestrian and vehicle reliably with low false alarm rate, effectively avoiding the arm of the barrier gate falling down when there is vehicle or pedestrian passing
- RS-485 communication with more reliable signal and longer communication distance
- Recognizes background automatically
- Strong environmental adaptability without influence of the illumination, dust, rain, snow, etc. towards the detection performance

### Available Models

DS-TMG033

### Typical Application

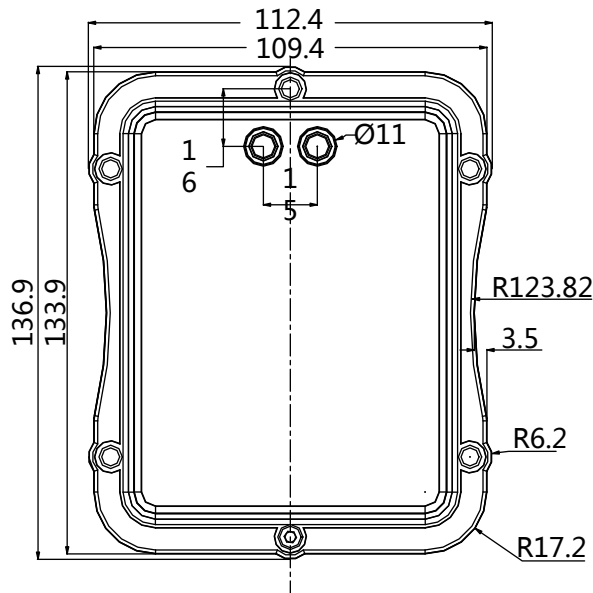


## Specifications

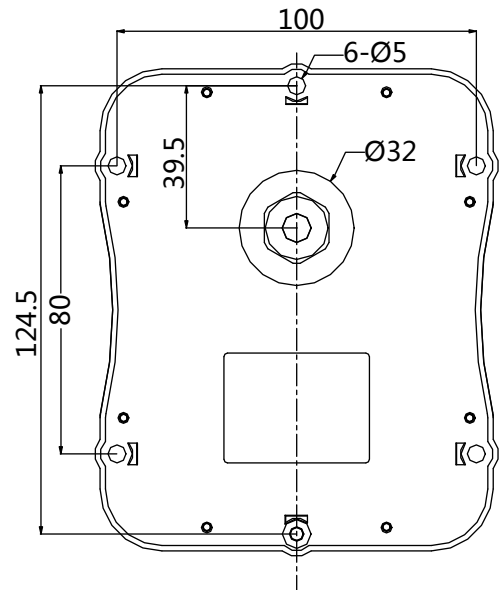
Technical parameters	Transmitting frequency (GHz)	24
	Transmitting power (mW)	≤ 10
	Beam width	Vertical 12°, Horizontal 34°
	Response time (ms)	1
	Detection area (m)	Horizontal width: 1
	Anti-fall area (m)	6 (Programmable)
	Detection target	Vehicle and pedestrian
	Online debugging	Serial port debugging
	Online upgrade	Serial port upgrade
Power supply	Working voltage (VDC)	9 to 12
	Working current (A)	< 0.2
	Consumption (W)	< 2
Environment	Working temperature	-40 °C to +80 °C (-40 °F to +176 °F)
Dimensions	Dimensions (L × W × H)	136.9 × 112.4 × 29 mm (5.4 × 4.4 × 1.1 inch)

## Dimensions

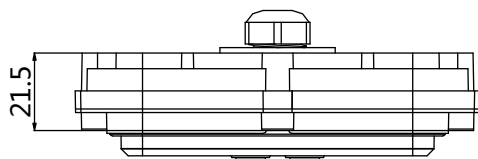
(Unit: mm)



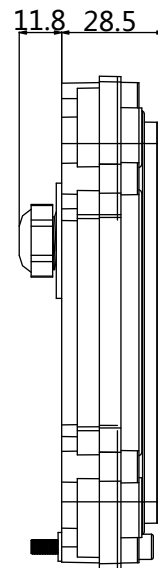
Front View



Rear View



Top View



Side View

Distributed by



## HIKVISION

### Headquarters

No.555 Qianmo Road, Binjiang District,  
Hangzhou 310051, China  
T +86-571-8807-5998  
overseasbusiness@hikvision.com

**Hikvision USA**  
T +1-909-895-0400  
sales.usa@hikvision.com

**Hikvision Italy**  
T +39-0438-6902  
info.it@hikvision.com

**Hikvision Singapore**  
T +65-6684-4718  
sg@hikvision.com

**Hikvision Africa**  
T +27 (0) 0351172  
sale.africa@hikvision.com

**Hikvision Europe**  
T +31-23-55-42-770  
info.eu@hikvision.com

**Hikvision France**  
T +33(0)1-85-330-450  
info.fr@hikvision.com

**Hikvision Oceania**  
T +61-2-8599-4233  
salesau@hikvision.com

**Hikvision Hong Kong**  
T +852-2151-1761

**Hikvision Middle East**  
T +971-4-8816086  
salesme@hikvision.com

**Hikvision Spain**  
T +34-91-737-16-55  
info.es@hikvision.com

**Hikvision Canada**  
T +1-909-895-0400  
sales.usa@hikvision.com

**Hikvision Russia**  
T +7-495-669-67-99  
saleru@hikvision.com

**Hikvision Poland**  
T +48-22-460-01-50  
poland@hikvision.com

**Hikvision Korea**  
T +82-31-731-8841  
sales.korea@hikvision.com

**Hikvision India**  
T +91-22-28469900  
sales@pramahikvision.com

**Hikvision UK**  
T +01628-902140  
support.uk@hikvision.com

**Hikvision Brazil**  
T +55 11 3318-0050  
Latam.support@hikvision.com