

## VISION II RFID (V7 Series) Electronic Hotel Lock

**Be-Tech VISION II RFID** series is the latest electronic locks that use simple, fashionable and comfortable design.

**Be-Tech VISION II RFID** series is especially designed for the modern and fashionable hotels with the desire of making sure the lock perfectly blends into the fashionable hotel environment.

"The sparkling bright spot, Not just the looks". With the combination of **Be-Tech VISION II RFID** series matte black finish, it allows architects and designers maximize hotel's fashion sense and enhance user experience to a new level.

### Features:

- Stand alone electronic lock with RFID technology.
- High security stainless steel mortise lockcase available in ANSI, AUS and EURO versions.
- Stainless steel handle with long lasting painting finish.
- 3-point stainless steel latch construction with antifriction mechanism.
- Mortise equipped 20mm throw high strength deadbolt.
- Panic release function - the deadbolt and latch are automatically retracted by inside handle for easy regress in emergency situation.
- ADA compliant (guest with physical disabilities).
- Future proof re-programmable FLASH RAM lock memory.
- Powered by four AA batteries that provide up to 1 year normal life time.
- 414 events audit trail
- Compatible with BIS HOTEL software platform.
- High security mechanical override cylinder available.
- Compatible hotel function and residential function.

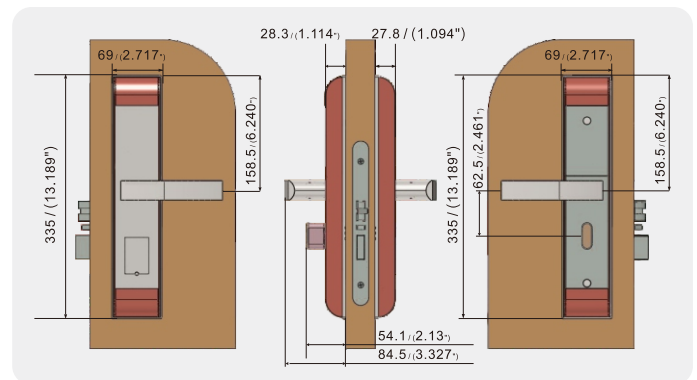
VISION II RFID series is not suitable for outdoor.



### RFID Specifications:

- 13.56MHz technology
- Compatible with the following standard : ISO 14443 A (MIFARE Classic)
- Eleven free sectors for future All-in-one card application use

### Dimensions:



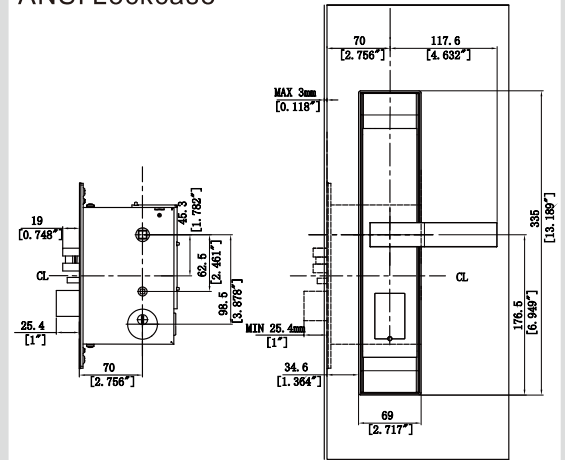
## Technical Data:

Power	4 x 1.5V AA alkaline batteries
Battery Location	Inside of the back lock
Material	Handles: Stainless steel quality SUS304 Lock body: Stainless steel quality SUS304
Metal Finishes	Silver, Gold, Matte Black
Emergency Opening Options	Emergency Opening with Mechanical cylinder
Locking Mechanism	Electro-mechanical locking mechanism
Door Thickness	35-80mm (only for EURO mortise)
System Software Compatibility	BIS Hotel
Storage Temperature	Workable -20°C~60°C: non-condensing environment
Tested Operating Temperature	Tested from -25°C~70°C
Supported RFID Standard	ISO 14443 A (MIFARE Classic)

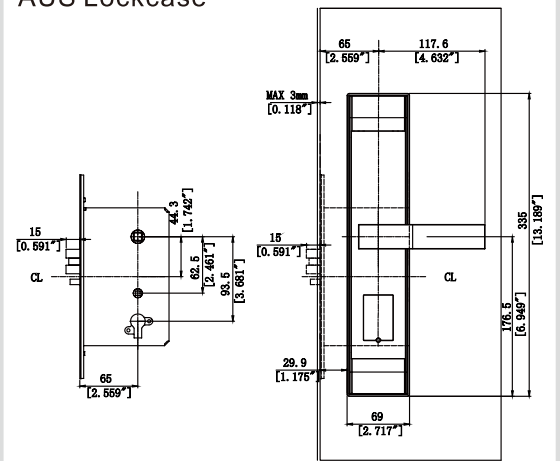
## Lockcase Dimensions:

ANSI Lock Case Variants	ANSI DB
ANSI Lock Case Widths	28mm / 1.10 inches 31.5mm / 1.24 inches
ANSI Backset	70mm / 2.76 inches
EURO Lock Case Variants	EURO DB, available in: Australia version(AUS) Japan version(JPN)
EURO Lock Case Widths	22mm / 0.87 inches
EURO Backsets	65mm / 2.56 inches

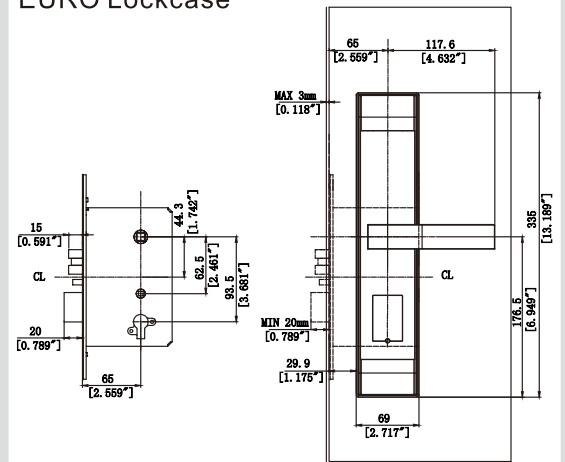
### ANSI Lockcase



### AUS Lockcase



### EURO Lockcase



**Guangdong Be-Tech Security Systems Limited**

No.17, Ronggui Technology Industrial Park  
Keyuan 3rd Road, Shunde, Foshan  
Guangdong, P.R.China

Tel:+86 757 28376123 | Fax:+86 757 28308823  
E-mail:export@be-tech.com.cn | www.betechlock.com

Specifications may change without notice.