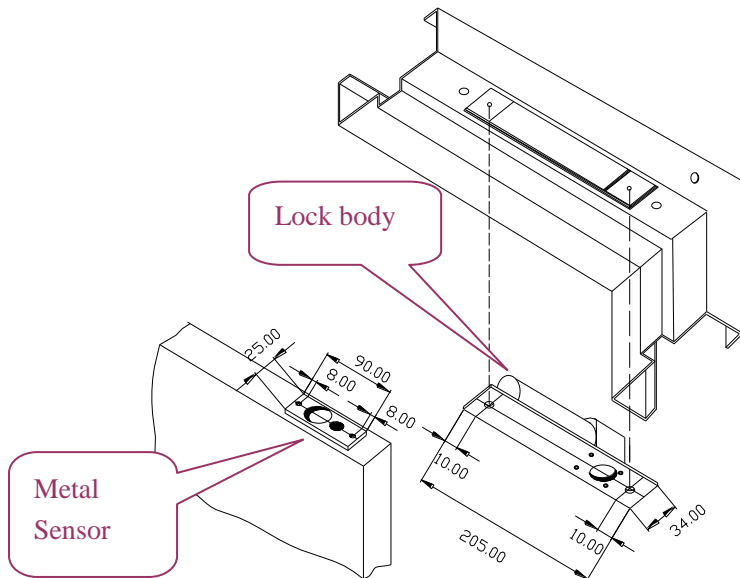
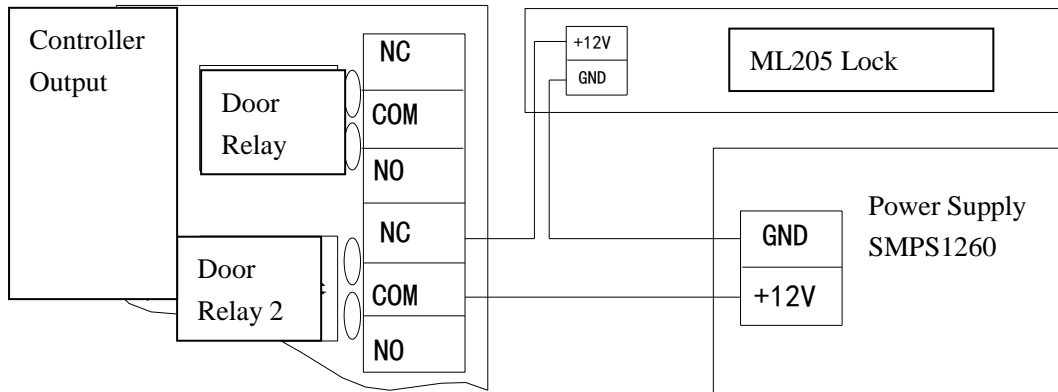


Installation



1. Drill the hole for the lock on the frame, and install it.
2. Install the Metal Sensor on the door.
3. The hole of metal sensor board should be matched with bolt of lock body.
4. The bolt will not go out, before door is closed (Door sensor go back under bolt).
5. Adjustable Delay time (DIP Switches):
 0 Second: DIP1=OFF, DIP2 = OFF
 3 Seconds: DIP1=ON, DIP2 = OFF
 6 Seconds: DIP1=OFF, DIP2 = ON
 9 Seconds: DIP1=ON, DIP2 = ON
6. Accessories: (A) ML2016: Whole glasses Door; (B) ML205UU: Whole glasses frame

Connection



Specification

Color	Description	Description	Description
Voltage	12VDC (Fail Safe)	Bolt Dimension	15.5mm
Current	Start--0.9A, Normal--0.3A	Hole for installation	150×34mm (Depth ≥43mm)
Dimension	205×34×42mm	Surface Board Dimension	215×40×0.8mm
Weight	0.6KG	Gap between Sensor and door	≤ 5mm

Wire

No.	Color	Description
1	Red	+12V
2	Black	GND
3	White	NC, Door Sensor
4	White	NC, Door Sensor

