

DC-M9204 Innovation Manual Call Point



SECURITY
SIGNALLING



S24465

Description

DC-M9204 Innovation Manual Call Point (MCP) is non-addressable. Alarm is triggered by pressing the glass. It can be simply connected to compatible conventional fire alarm system from various manufacturers. This MCP is suitable for public places. When there is fire, pressing the glass on this MCP can send alarm signal to compatible conventional fire alarm control panel.

Features and Benefits

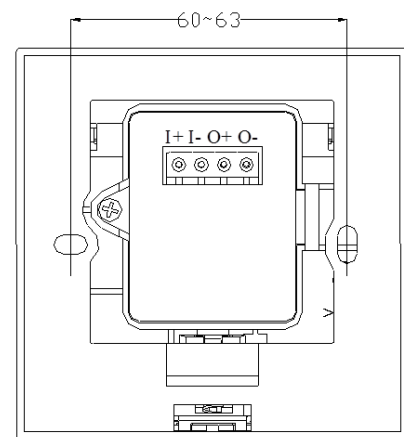
- Alarming by pressing, reset by a special key
- Plug-in structure
- Complies with UL38

Certificates and Compliance

- Standards: UL38
- Certifications: UL
- WEEE & RoHS Compliant

Terminals and Installation Holes

Terminals on the MCP are shown below.



I+, I-: Input signal, connecting with compatible control panel or the previous MCP.

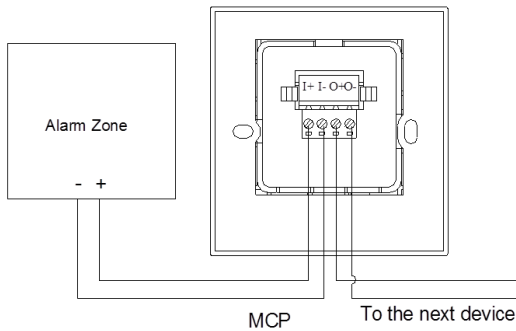
O+, O-: Output signal, connecting with the next MCP.

Recommended Cabling

17AWG ~ 14AWG fire cable is recommended, but subject to local codes.

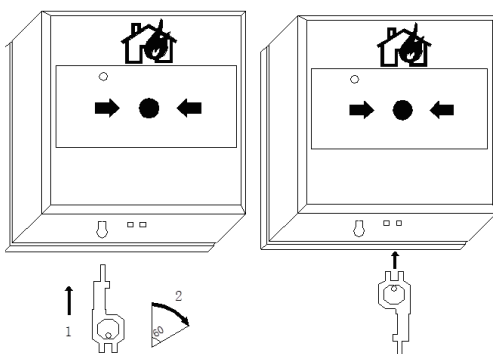
Application

The typical connection of the MCP is shown below.



Note: The call point cannot be directly connected to 24VDC power, or its internal components may be damaged. It must be connected to a compatible power limited fire alarm control panel (28VDC/60-mA max.).

A key is provided to reset and unlock the MCP. To reset the pushed MCP, vertically insert the key into the key-hole, push in and turn it clockwise, the glass should be rebounded. To unlock (uninstall) the MCP body, insert the forked key and push it home. Then the body will be separated from the base or the back box.



A test tool is provided as spare part. The test tool is used to keep continuity during commissioning or maintenance when MCP is not installed, so that cable test can be carried out easily and make the circuit completed.

Technical Specification

Operating Voltage	24VDC (12VDC~28VDC)
Standby Current	0mA
Alarm Current	≤ 30mA(equivalent resistance is 470Ω 1/2W)
Indicator	Red. Illuminates after alarm.
Type of Initiating Part	Reusable
Initiating Mode	Pressing the glass manually
Resuming Mode	Manually resumed by a special key
Wiring	2-wire
Ingress Protection Rating	IP43
Environmental Temperature	14°F(-10°C)~ 122°F (+50°C)
Relative Humidity	≤95%, non-condensing
Material of Enclosure	ABS
Dimension (LxWxH)	87.1mmx87.1mmx58.5mm (with back box)
Mounting Hole Distance	60mm
Weight	About 160g (with back box)

Order Information

Part No.	DC-M9204
Device Name	Innovation Manual Call Point
Product No.	10104858
Compatible Products	DI-M9319 Zone Monitor Module